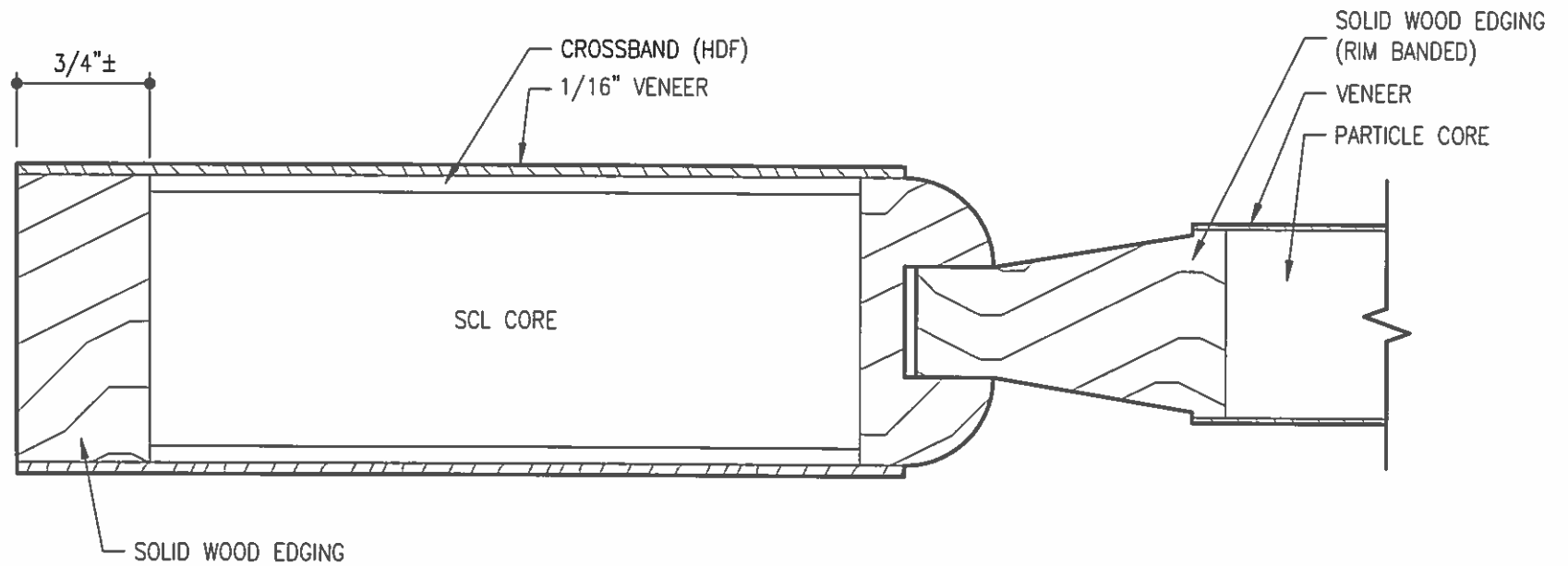


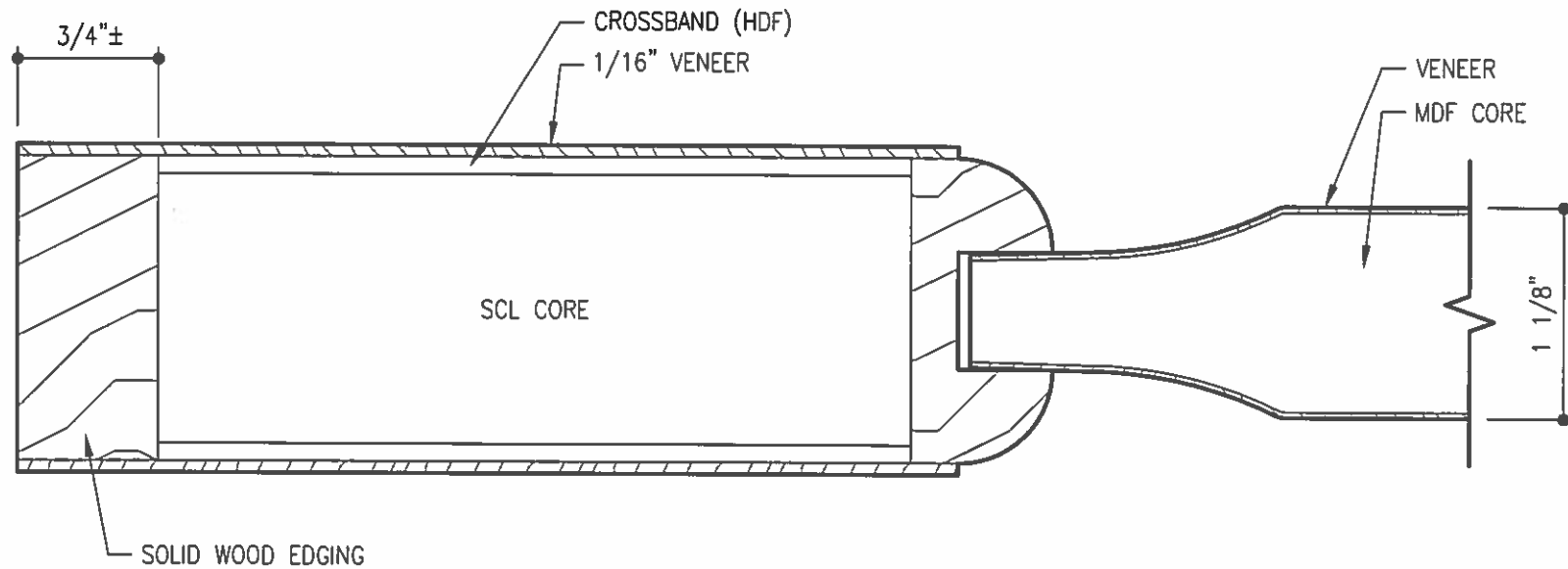


INTERIOR STAIN GRADE DOORS
WITH RIM BANDED PANELS



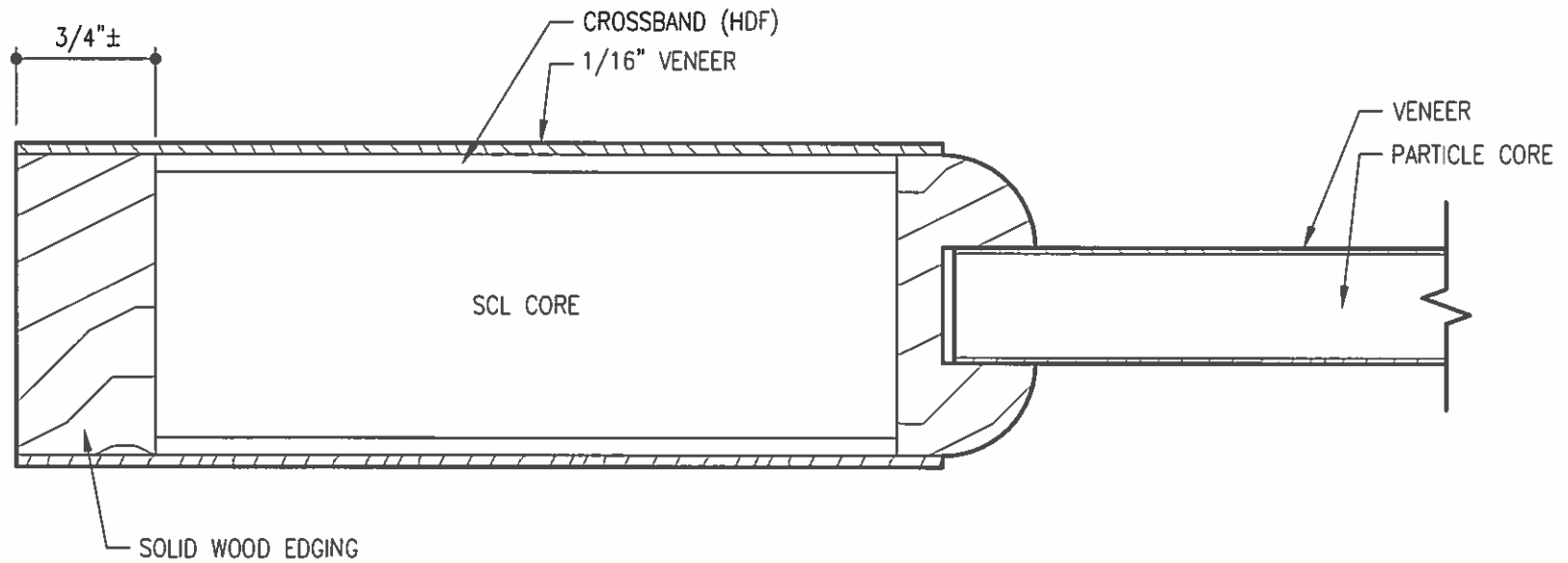


INTERIOR STAIN GRADE DOORS
WITH FORMED VENEER PANEL



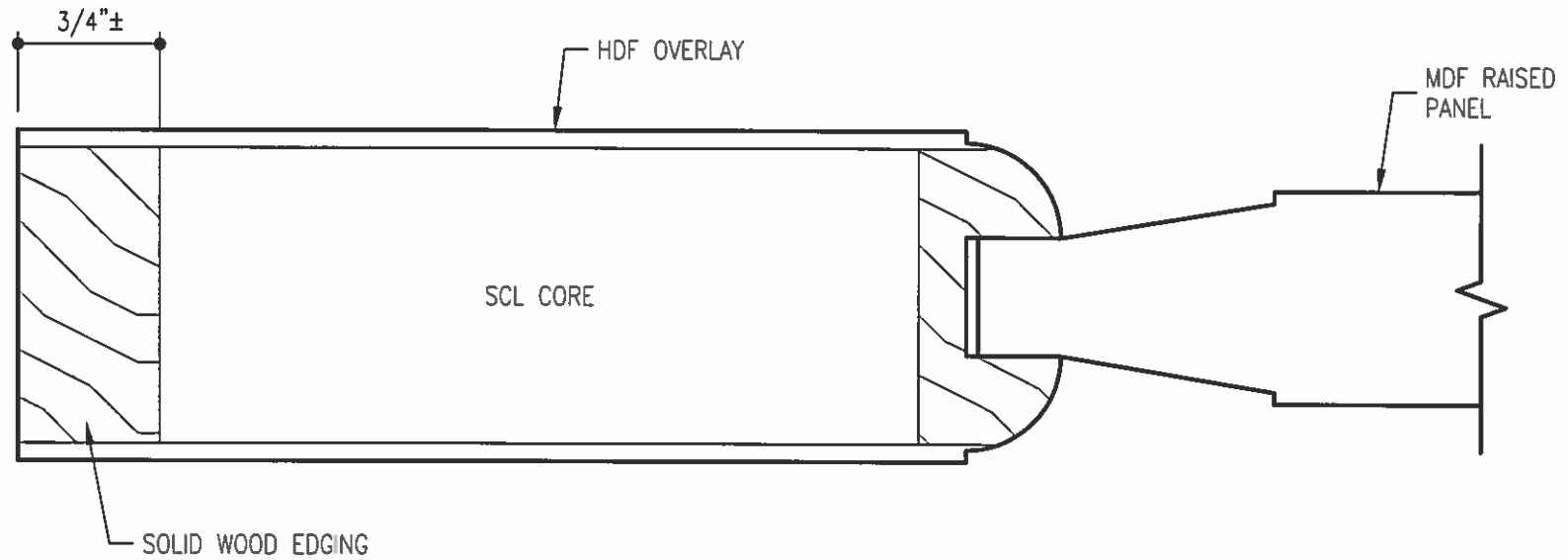


INTERIOR STAIN GRADE DOORS
WITH FLAT PANEL



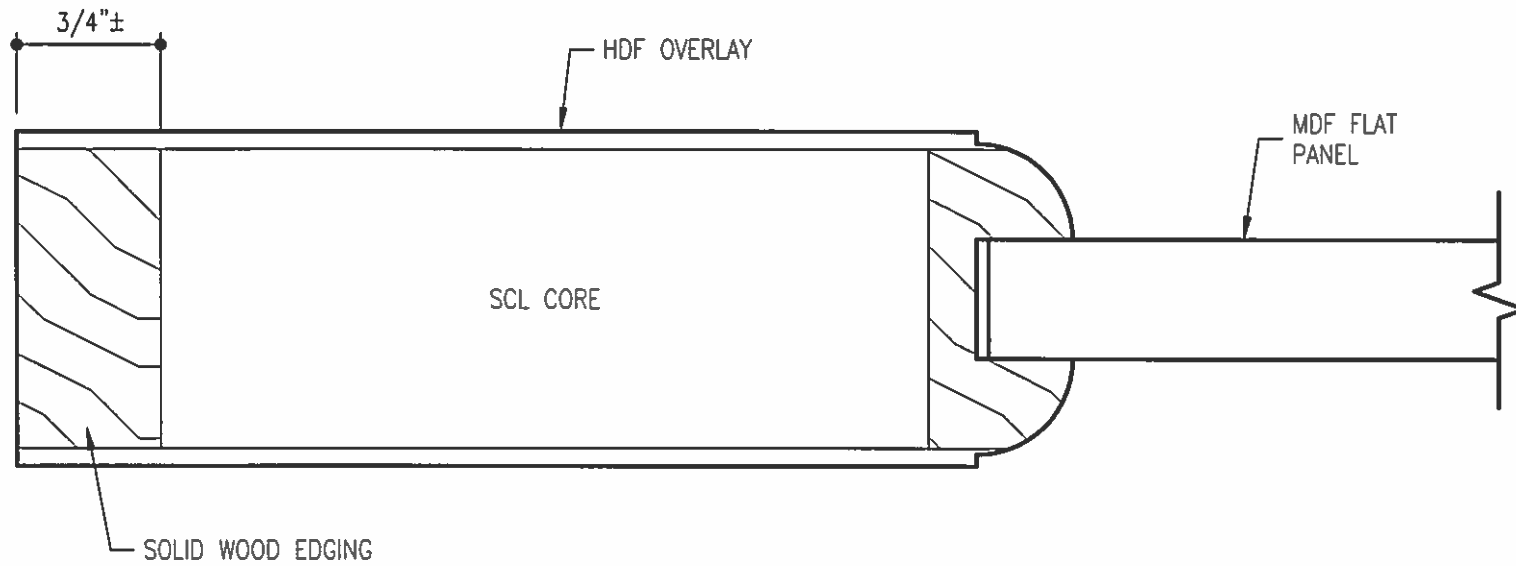


INTERIOR PAINT GRADE DOORS
WITH RAISED PANELS



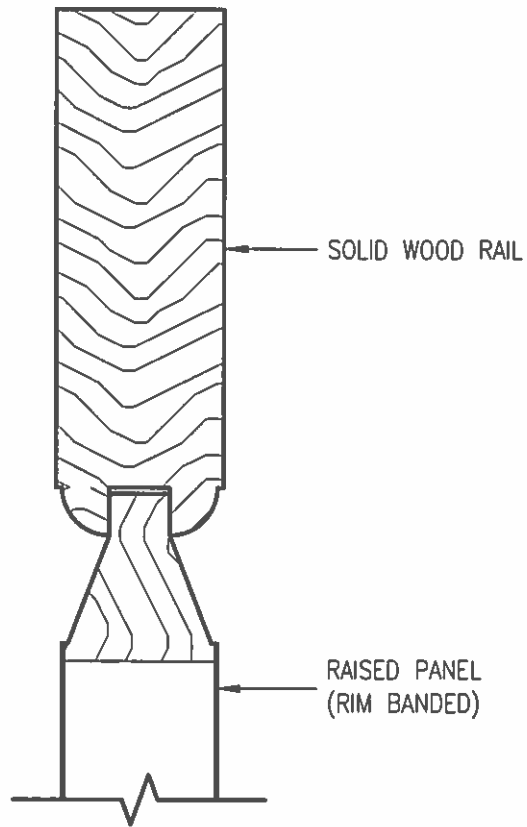


INTERIOR PAINT GRADE DOORS
WITH FLAT PANELS

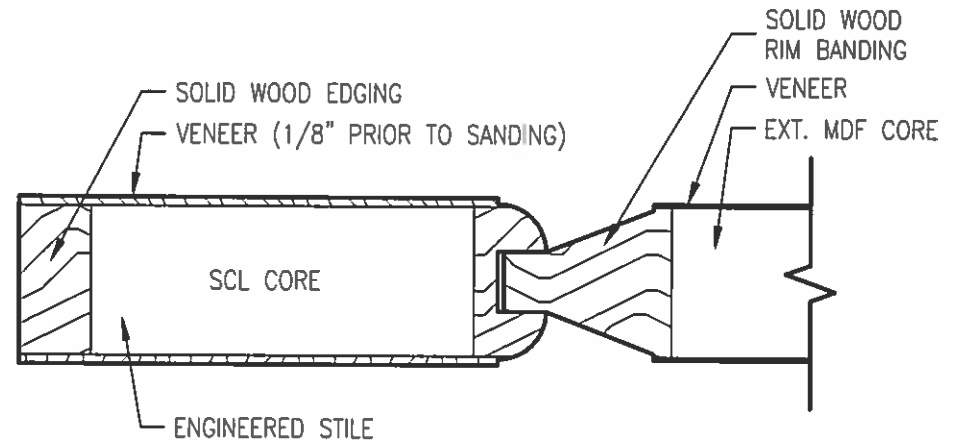




EXTERIOR STAIN GRADE DOORS
WITH RIM BANDED PANELS



DETAIL @ SOLID WOOD RAILS

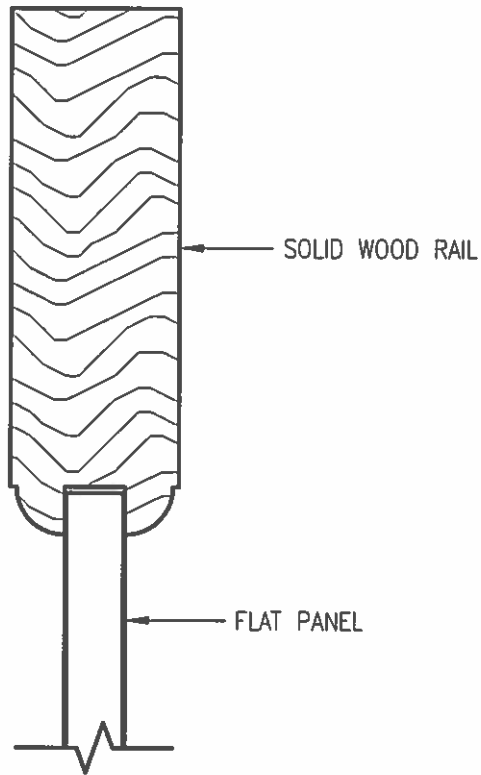


DETAIL @ ENGINEERED STILES

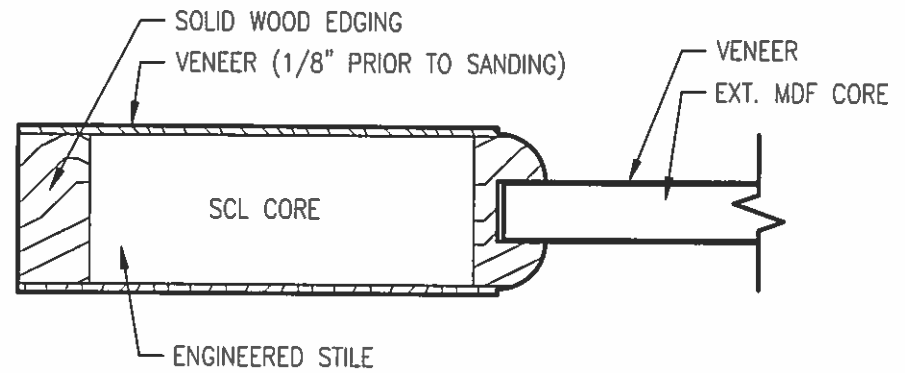
NOTE: TOP AND BOTTOM OF STILES
ARE PLUGGED WITH SOLID WOOD



EXTERIOR STAIN GRADE DOORS
WITH FLAT PANELS



DETAIL @ SOLID WOOD RAILS

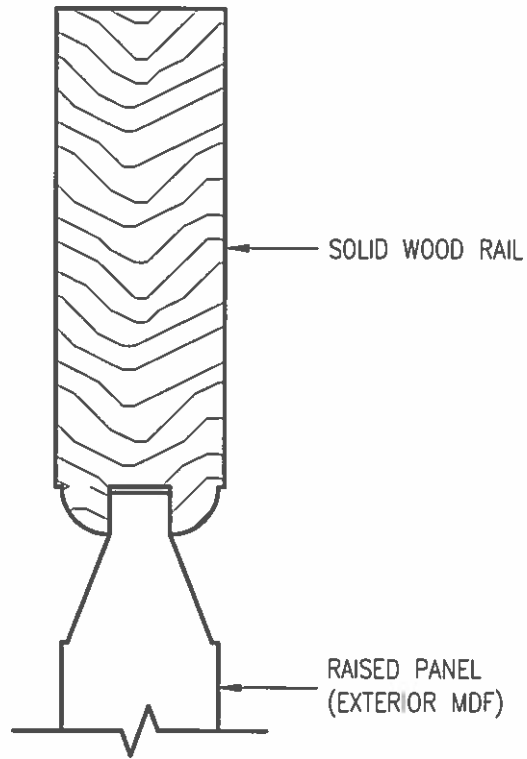


DETAIL @ ENGINEERED STILES

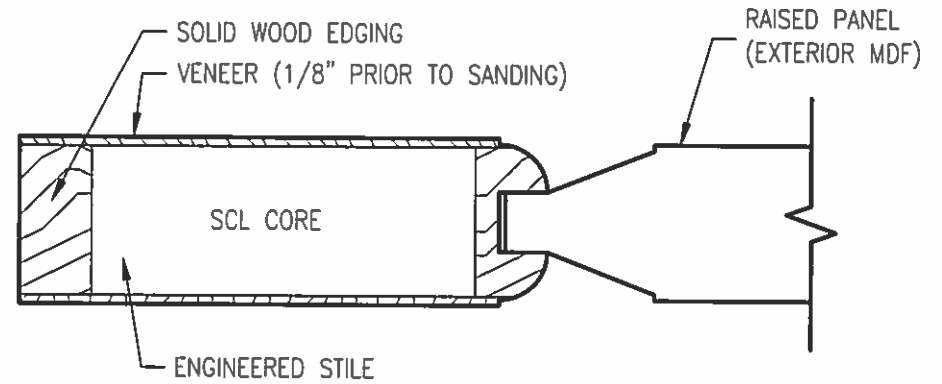
NOTE: TOP AND BOTTOM OF STILES
ARE PLUGGED WITH SOLID WOOD



EXTERIOR PAINT GRADE DOORS
WITH RAISED PANELS



DETAIL @ SOLID WOOD RAILS

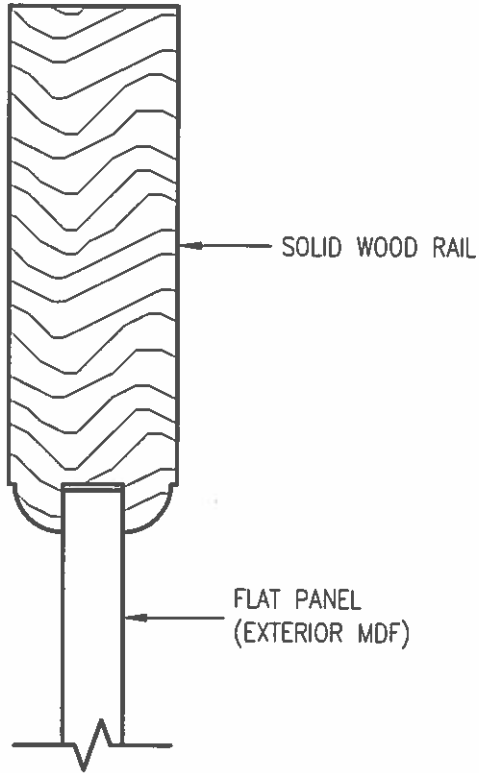


DETAIL @ ENGINEERED STILES

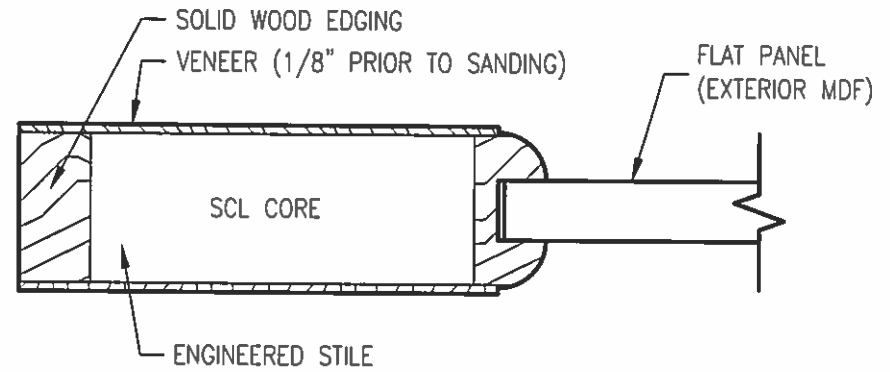
NOTE: TOP AND BOTTOM OF STILES
ARE PLUGGED WITH SOLID WOOD



EXTERIOR PAINT GRADE DOORS
WITH FLAT PANELS



DETAIL @ SOLID WOOD RAILS



DETAIL @ ENGINEERED STILES

NOTE: TOP AND BOTTOM OF STILES
ARE PLUGGED WITH SOLID WOOD